



WIRING DIAGRAMS

Technical Training

PRODUCED
BY
LANCIA OF AMERICA
PUBLICATIONS DEPARTMENT

COPYRIGHT © 1976 by
LANCIA OF AMERICA
A DIVISION OF
FIAT MOTORS OF NORTH AMERICA, INC.
All rights reserved — This book may not be re-
produced in whole or in part without the ex-
press permission of Fiat Motors of North
America, Inc.

The descriptions and illustrations appearing in
this book are not binding. Lancia reserves the
right to make at any time any changes or modi-
fications to the characteristics of the automo-
bile without necessarily bringing this book up-
to-date.

SCORPION

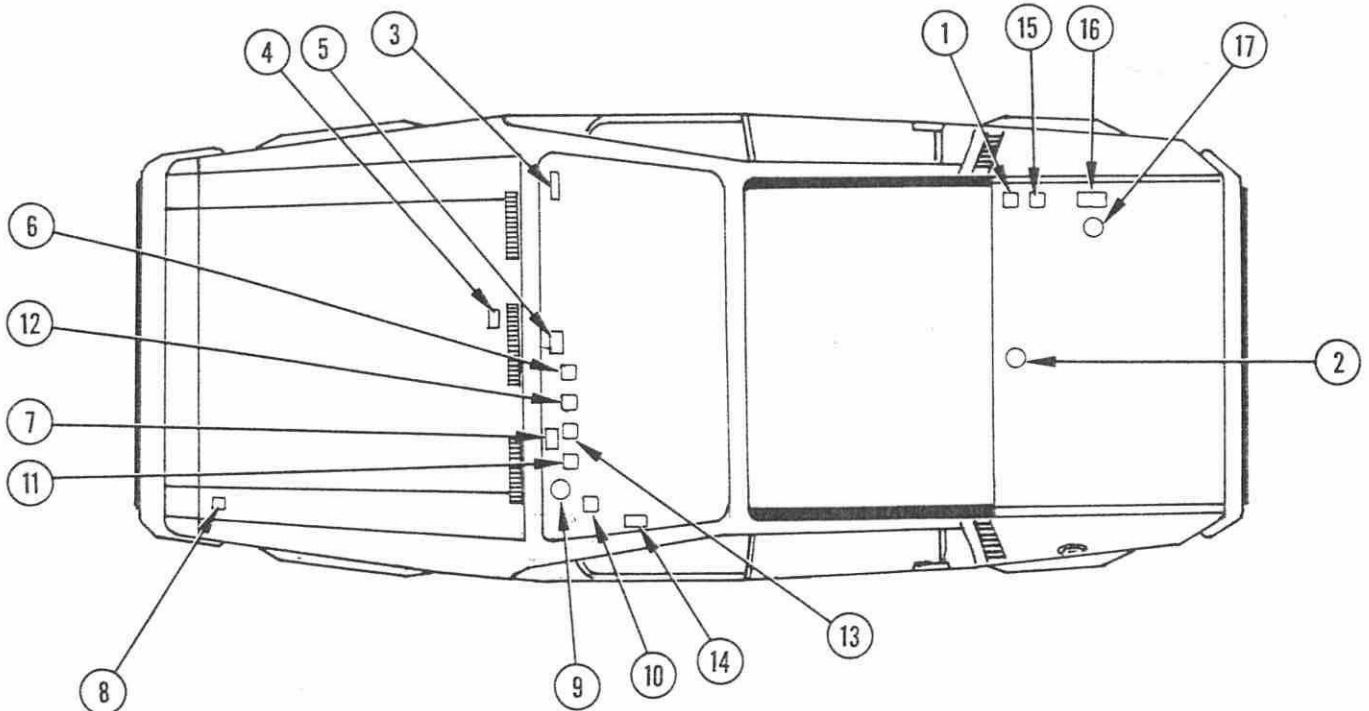
Table of Contents

		PAGE
Relay Location Chart		SC-1
Component Index, Connector Code, and Wire Color Code		SC-2
FUSE	CIRCUITS	
1	Fuel pump	
11	Interior lights, cigarette lighter, clock, interior lights, rear window defogger	
12	Radiator cooling fan, horn	SC-3
2	Heater blower, rear window defogger switch, CATALYST, EGR, and SLOW DOWN indicators and control unit, turn signals, tachimetric switch, seat belt indicating system, diverter valve by-pass electrovalve, fast idle electrovalve, and EGR electrovalve, back-up light	SC-4
2	Instruments and indicators	SC-5
2	Windshield wipers/washer, stop lights	SC-6
3	} Headlights	
4		
5		
6		
14	Headlight motor relay, hazard warning lights, remove key buzzer	
15	} Headlight motor	SC-7
16		
7	} Parking and side marker lights, engine and luggage	
8		Compartment lights, clock and cigarette lighter lights
9	} Power windows	
10		
13	Air Conditioning	SC-9
Unprotected ignition system, starter system, alternator		SC-10
Component Index, Connector Code, and Wire Color Code		SC-11

SCORPION

Relay Location Chart

CHART NO.	DESCRIPTION	PART NO.
1	Fuel Pump Relay (starting)	4320629
2	Fast Idel Electrovalve	4345810
3	Catalytic Temperature Control unit	4345187
4	Resistor	4288985
5	Windshield Wiper Intermittance Relay	4177176
6	Horn Relay	4320624
7	Hazard Flasher	4200679
8	Headlight Motor Relay	4336575
9	Turn Indicator Flasher	4300635
10	Buzzer	4253302
11	Seat Belt Buzzer Relay	4320629
12	Rear Window Defogger Relay	4320629
13	Electro Fan Relay	4320629 - 4320625
14	Delay Switch	4357723
15	Fuel Pump Relay (Running)	4320626
16	Tacho Switch	4320626
17	EGR By-pass Electrovalve	4364182



Component Index, Connector Code, and Wire Color Code Charts

COMPONENT INDEX

1	Alternator	51	Symbols light	101	Fast idle electrovalve
2	Starter	52	Defogger symbol light	102	Diverter by-pass electrovalve
3	Cooling fan relay	53	Ashtray light	103	Right radio speaker
4	Horn relay	54	Engine compartment light switch	104	Left radio speaker
5	Rear window defogger relay	55	Right interior light jamb switch	105	Heated rear window
6	Seat belts indicator relay	56	Left interior light jamb switch	106	Voltage regulator
7	Fuel pump relay (engine running)	57	Remove key buzzer jamb switch	107	Seat belt indicator delay switch
8	Fuel pump relay (engine starting)	58	Horn button switch	108	Catalytic converter control unit
9	Headlight motor relay	59	Instrument cluster	109	25,000 mile recorder
10	Distributor	60	Parking light indicator	110	Catalytic converter thermocouple
11	Water temperature sending unit	61	High beam indicator	111	EGR electrovalve
12	Oil pressure sending unit	62	Direction indicator	112	Condenser switch
13	Oil pressure switch	63	Battery charging indicator	113	Condenser Fan Motor
14	Stop light switch	65	Low oil pressure indicator	114	Condenser Cooling Fan Relay
15	Heater fan switch	66	Engine overheating indicator	115	Air Conditioning Control Relay
16	Rear window defogger switch	67	Fuel low indicator	116	Anti-frost valve
17	Switch on transmission for fast idle	68	Brake failure indicator	117	Compressor
18	Switch on clutch pedal for fast idle	69	Hazard warning indicator	118	Emergency high pressure switch
19	Fast idle system test switch	70	Defogger indicator	119	Low pressure switch
20	Switch on Driver's seat belt	71	Seat belts indicator	120	Fast idle relay
21	Cooling fan thermoswitch	72	CATALYST indicator	121	Frost prevention switch
22	Handbrake ON switch	73	EGR indicator	122	Blower motor
23	Engine overheating indicator switch	74	SLOW DOWN indicator	123	Air Conditioning Push Button Control
24	Outer lighting switch	75	Tachometer	124	3 Speed fan switch
25	Idle stop solenoid switch	76	Oil pressure gauge	125	Fast idle control switch
26	Tachimetric switch	77	Fuel gauge	126	Right power window motor
27	Back-up lights and 5th gear switch	78	Water temperature gauge	127	Left power window motor
28	Coil	79	Clock	128	Left power window switch
29	Battery	80	Ignition switch	129	Right power window switch
30	Cooling fan motor	81	Hazard warning light switch		
31	Heater fan motor	82	Instrument light rheostat		
32	Windshield wiper motor	83	Symbols light rheostat		
33	Headlight motor	84	Directional signal switch		
34	Left headlight	85	High/low beam changeover switch		
35	Right headlight	86	Windshield wiper/washer switch		
36	License plate light	87	Windshield wiper intermittent switch		
37	Left front parking and directional lights	88	Windshield washer pump		
38	Right front parking and directional lights	89	Fuel pump		
39	Left front side marker light	90	Horn compressor		
40	Right front side marker light	91	Fuel gauge sending unit		
41	Left rear side marker light	92	Directional signal flasher		
42	Right rear side marker light	93	Hazard flasher		
43	Left rear tail light	94	Fuse box		
44	Right rear tail light	95	Cigarette lighter		
46	Glove compartment light	96	Plug-in socket		
47	Engine compartment light	97	Heater fan resistor		
48	Luggage compartment light	98	Brake failure indicator		
49	Left interior light with switch	99	Remove key and fasten belts buzzer		

CONNECTOR CODES

CONNECTOR NO.	NO. OF PINS	CIRCUIT/COMPONENTS	LOCATION
C1	3	Left front parking light and directional signal	Under left fender at front above horns
C2	4	Headlight motor	Left front side of engine compartment in headlight motor compartment
C3	2	Cooling fan motor	Under car on left front side below radiator
C4	4	Windshield wiper intermittent switch	Behind fuse box
C5	2	Seat belt warning delay switch	Behind driver's left kick panel
C6	3		
C7	6	Windshield wiper motor	Left rear side of luggage compartment behind clutch reservoir
C8	3	Right front parking light and directional signal	Under right fender at front
C9	5	Clock, hazard switch, cigarette lighter, symbols and lights and rheostat	Behind center console
C10	3	Symbols lights rheostat	
C11	6	Heater fan motor and switch, handbrake ON switch, rear window defogger switch, CATALYST, E.G.R., and SLOW DOWN indicators	
C12	3	Hazard warning switch and CATALYST, E.G.R. and SLOW DOWN indicators	Under steering column cover
C13	4	Ignition switch	
C14	2	Remove key buzzer switch	
C15	8	Windshield wiper switch	
C16	5	Horn button switch, high/low beam change-over switch	
C17	6	Horn button switch, windshield washer switch, directional signal switch	
C18	8	Instrument panel	Behind instrument panel
C19	5		
C20	7		
C21	4	Catalytic converter control unit	Right side of passenger's foot well under rug
C22	2	EGR by-pass electrovalve	Right front of engine compartment in front of shock absorber (electrovalve)
C23	3	License plate lights, right and left tail lights	Left rear of engine compartment above jack
C24	2	Diverter valve by-pass electrovalve	Left side of engine compartment below diverter valve
C25	2	Fast idle electrovalve	Front center of engine compartment beside electrovalve
C26	5	Tachimetric switch	ON switch on right side of engine compartment on bracket with EGR by-pass electrovalve
C27	3	Coil	Right front of engine compartment beside coil
C28	2	25,000 mile recorder	Front center of engine compartment above recorder

CONNECTOR CODES

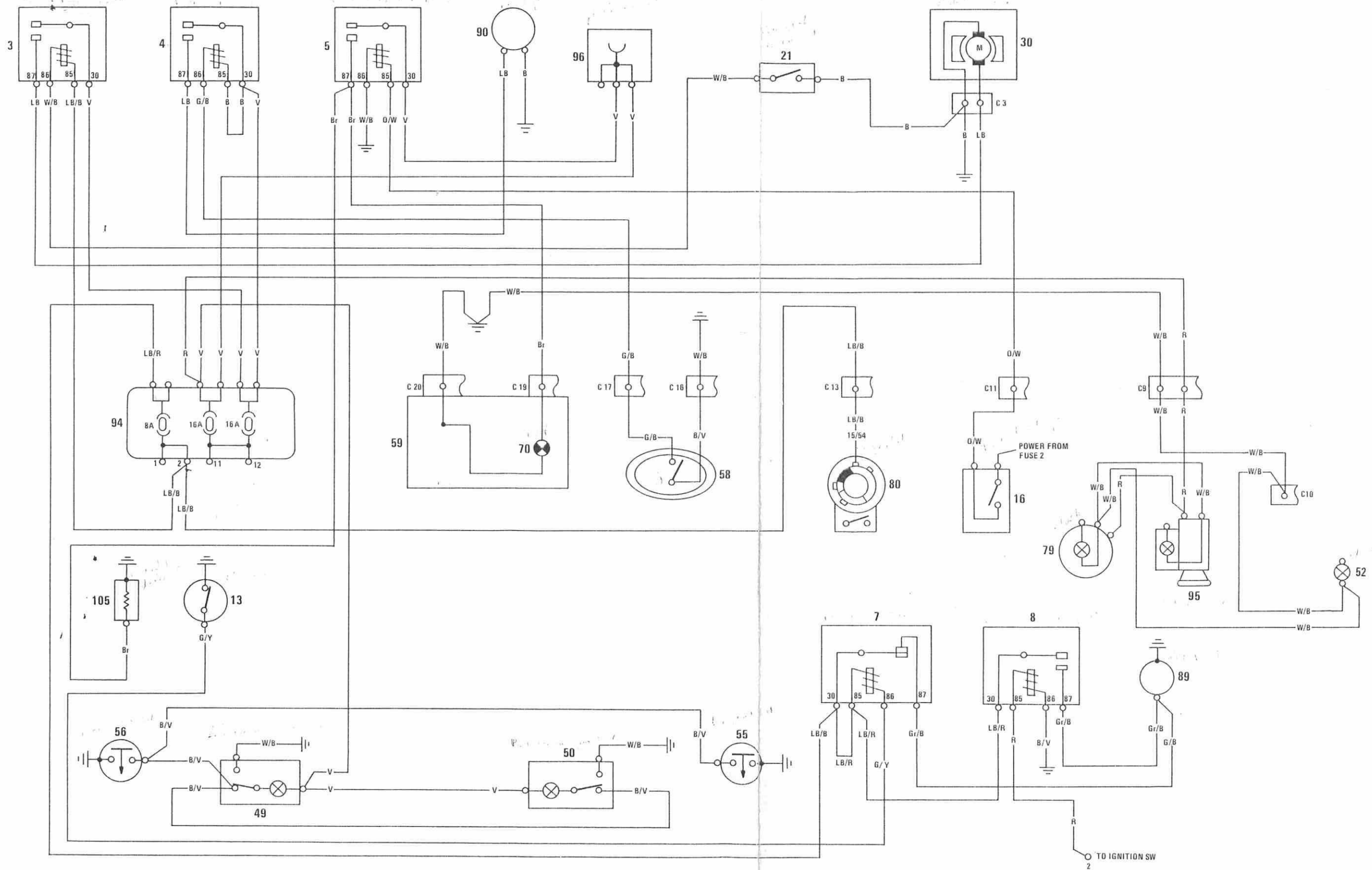
CONNECTOR NO.	NO. OF PINS	CIRCUIT/COMPONENTS	LOCATION
C29	3	Back-up and 5th gear switch in transmission	Left side of transmission above transmission
C30	2	Condenser Fan Motor	Next to condenser fan motor
C31	6	Electric windows control switches	Behind panel
C32	5	Air conditioning controls	Behind panel

WIRE COLOR CODE

B - Black	W - White	Gr/W - Green/White
Bl - Blue	Y - Yellow	LB/B - Light Blue/Black
Br - Brown	B/V - Black/Violet	LB/W - Light Blue/White
G - Gray	Bl/B - Blue/Black	LB/Y - Light Blue/Yellow
Gr - Green	Bl/R - Blue/Red	O/W - Orange/White
LB - Light Blue	Br/W - Brown/White	P/Y - Pink/Yellow
O - Orange	G/B - Gray/Black	R/Gr - Red/Green
P - Pink	G/R - Gray/Red	W/B - White/Black
R - Red	G/Y - Gray/Yellow	W/R - White/Red
V - Violet	Gr/B - Green/Black	Y/B - Yellow/Black

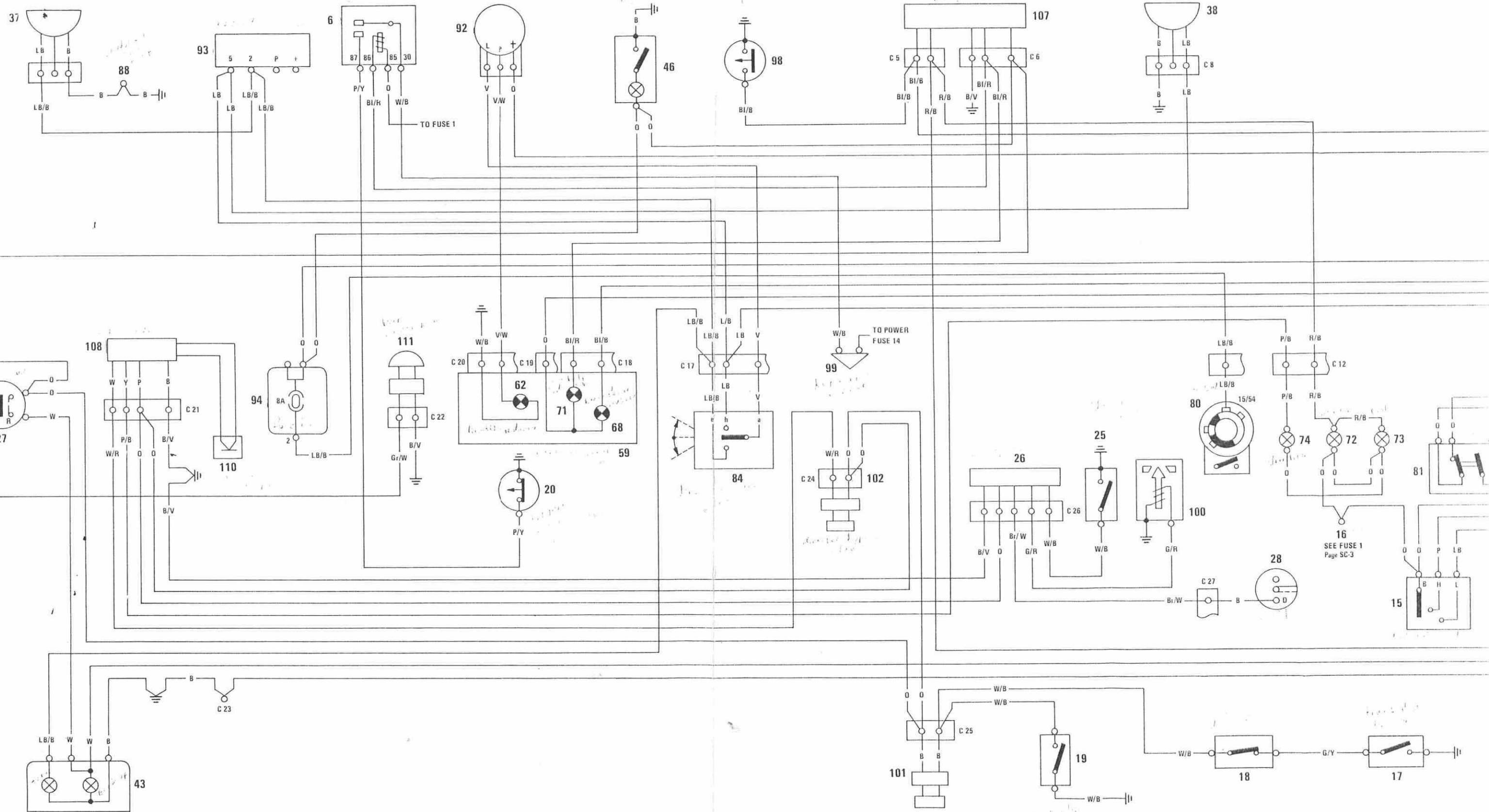
SCORPION

Fuses 1, 11, 12

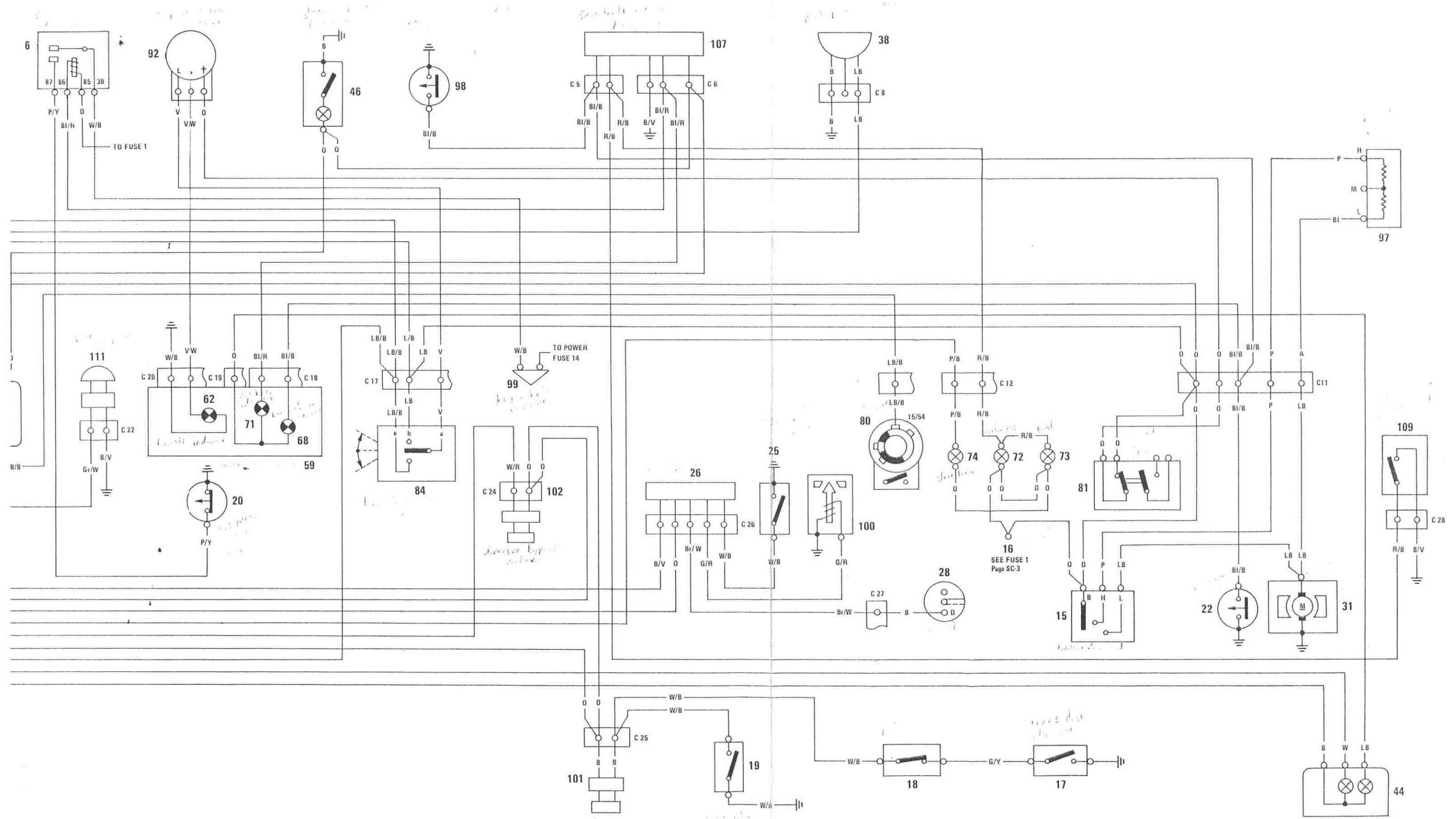


SCORPION

Fuse 2

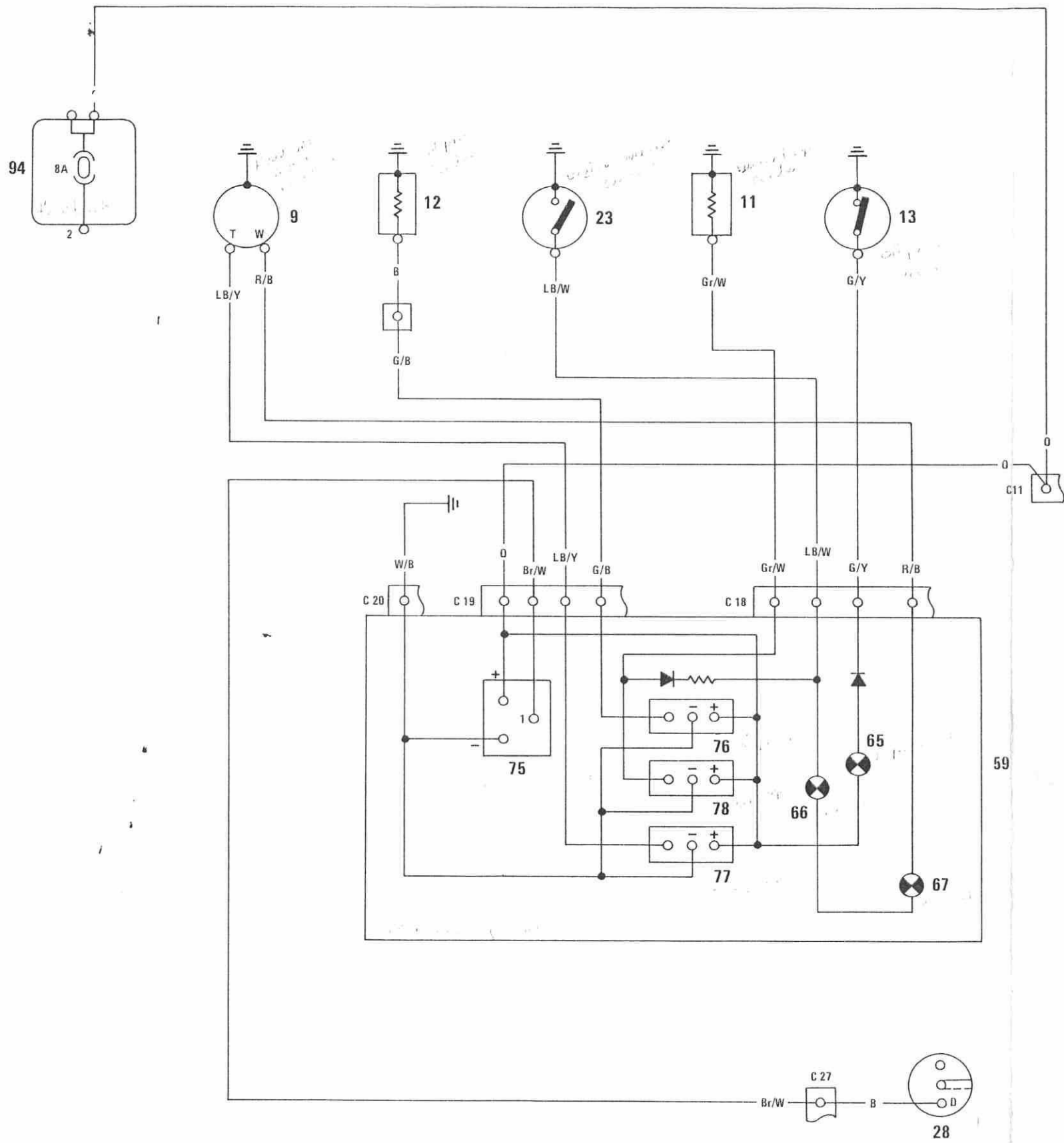


ION 2



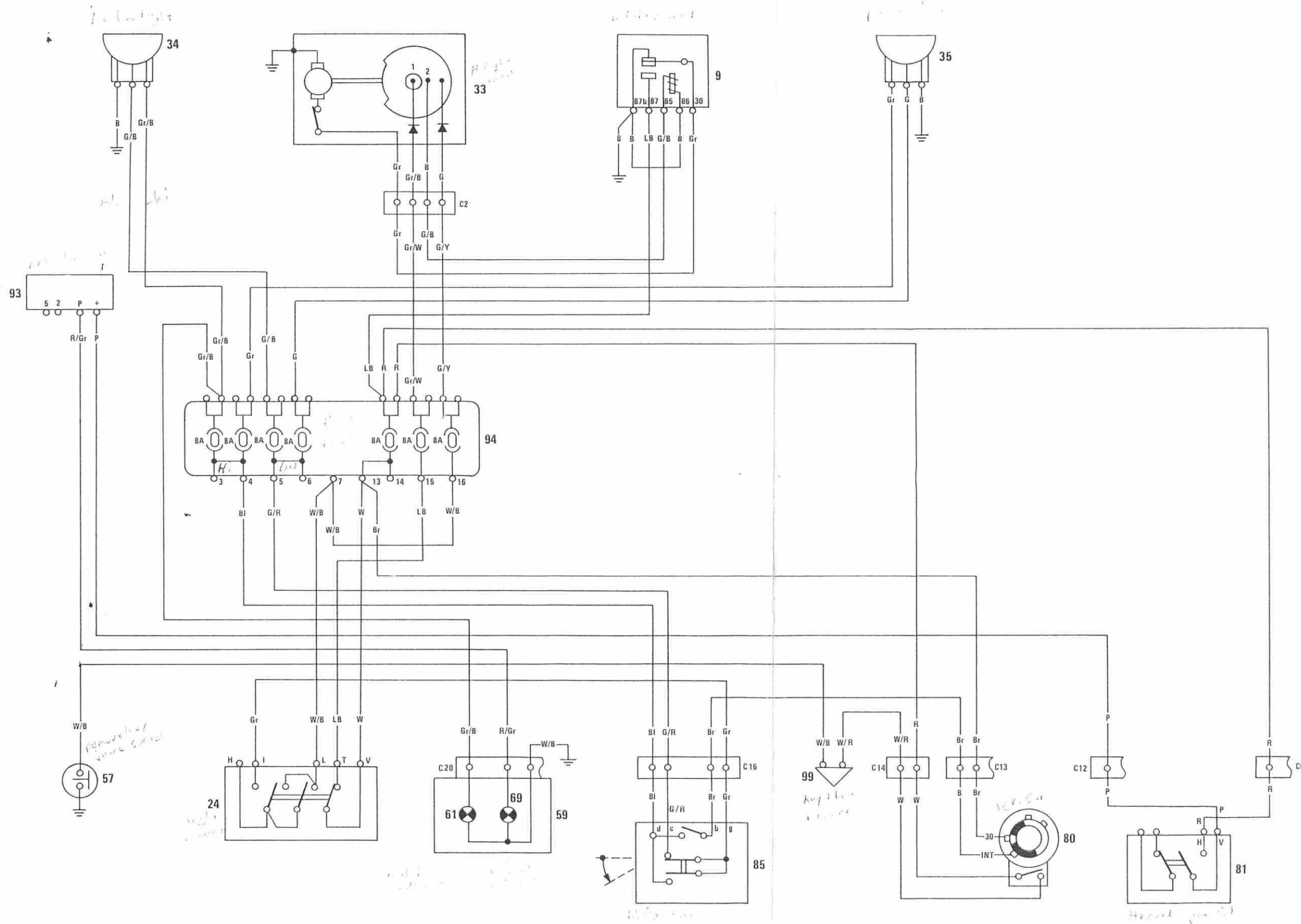
SCORPION

Fuse 2



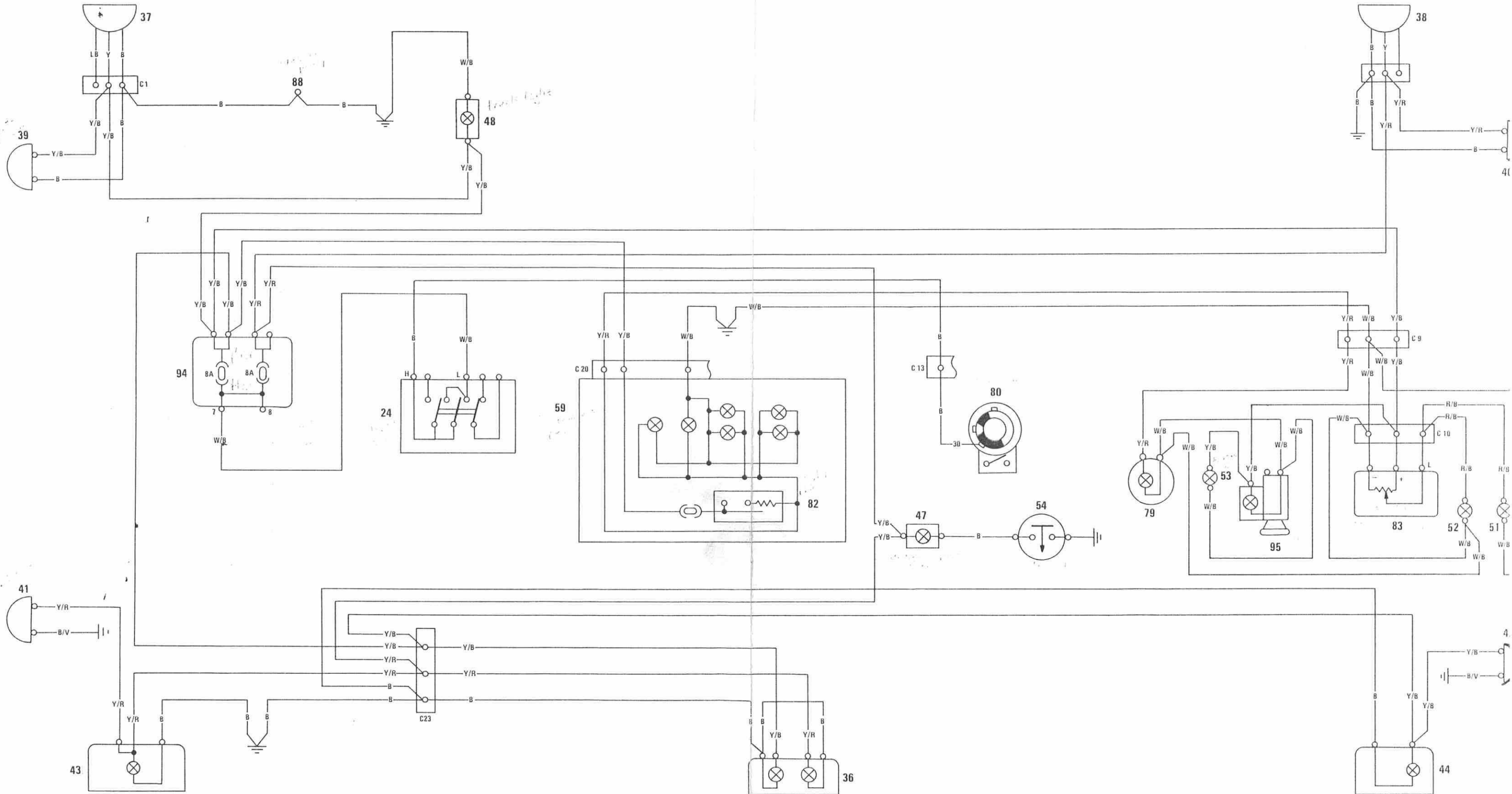
SCORPION

Fuses 3, 4, 5, 6, 14, 15, 16



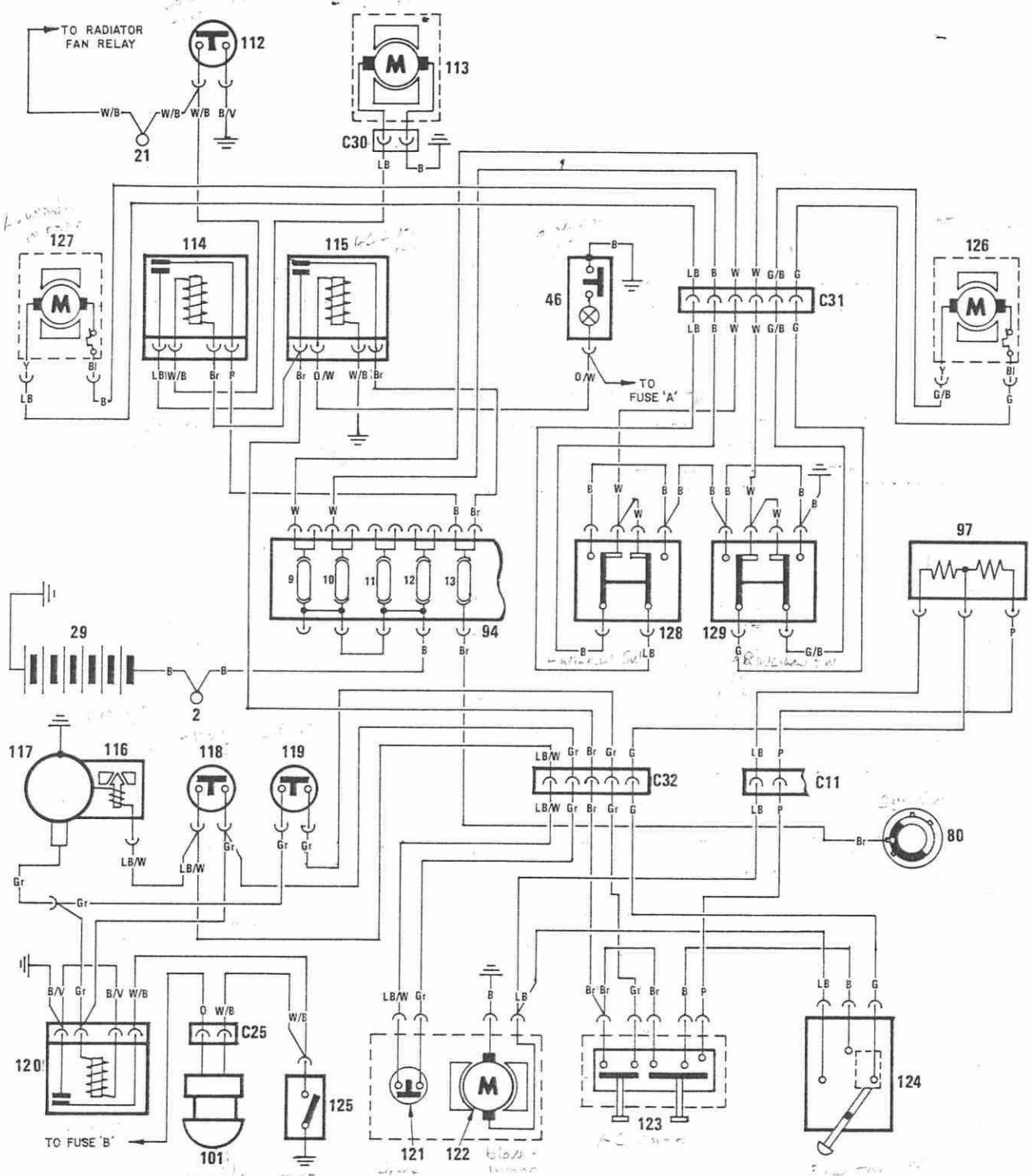
SCORPION

Fuses 7,8



SCORPION

Fuses 9, 10, 13



SCORPION

Unprotected Circuits

